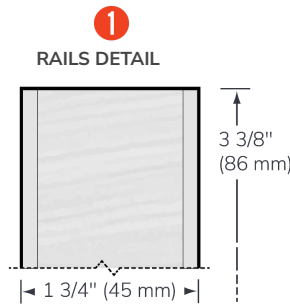
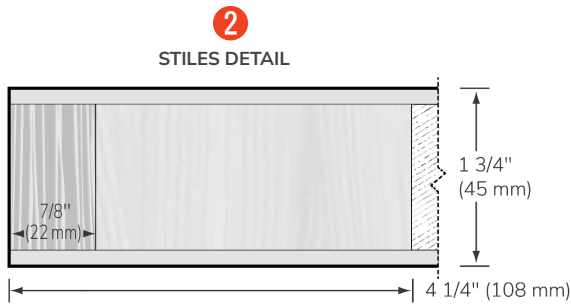
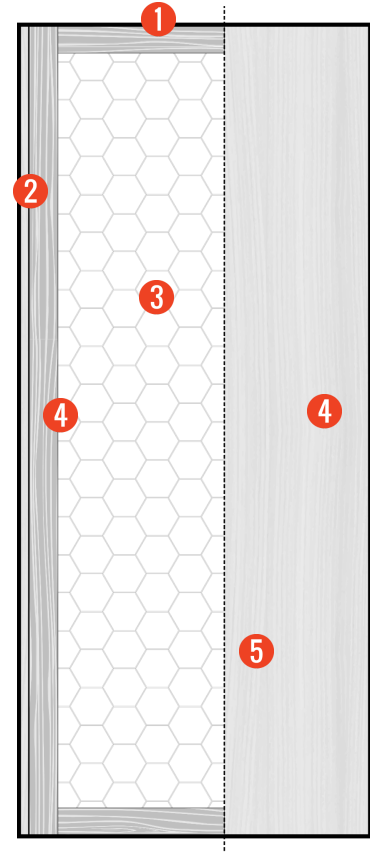


Door Width size: **Maximum 60"**  
 Door Length size: **Maximum 120" not rated**

- 1 Top and bottom rails: 3 3/8" ( 86 mm )**  
Laminated Strand Lumber
- 2 Stiles: 4 1/4" ( 108 mm )**  
Laminated Strand lumber bonded to 7/8" ( 22 mm ) pc of hardwood matched with face
- 3 Recycled honeycomb core**
- 4 Integrated Lock blocks**
- 5 Wood Veneer (many choices, 2 ply)**  
hardwood panel or plastic laminate



Note: dimensions are nominal before trimming.

**Adhesive Type 1, Waterproof**  
 UF free

**Fire Rating option**  
 Not available

**Warranty: 1 year**

**Eligible credits**

To obtain credits, specify "PUSM Eco Series"

LEED Canada - NC 2009

M.R.				Q.E.I			I.D.	P.R.		
3	4	5	7	5.1	5.2	3.2 op2	4.1	4.4	1.mo1	2
✓	✓	✓	✓			✓	✓	✓	✓	✓

LEED Canada - C1 (v1.0)

M.R.							Q.E.I		I.D.		
3.1	3.2	4.1	4.2	5.1	5.2	7	3.2 opB	4.1	4.4	1.1	1.2
✓	✓	✓	✓	✓	✓	✓	✓	✓	✓	✓	✓