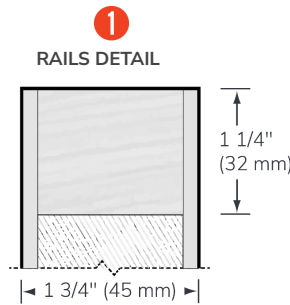
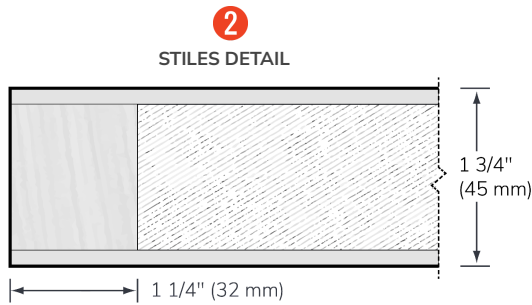
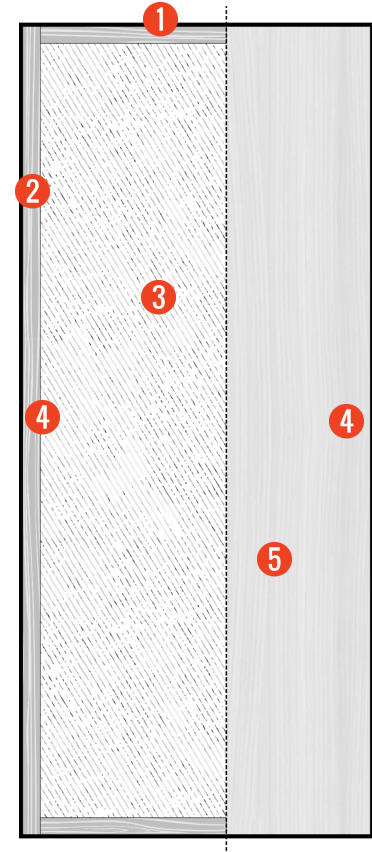


Door Width size: **Maximum 60"**
 Door Length size: **Maximum 120" not rated**

- 1 Top and bottom rails: 1 1/4" (32 mm)**
clear finger jointed, low density wood
- 2 Stiles: 1 1/4" (32 mm)**
clear finger jointed, low density wood
- 3 Solid Particleboard core**
with a density of 28 lbs per cubic ft.
or 449 kg cubic meter
- 4 Integrated Lock blocks**
- 5 Wood Veneer (many choices, 2 ply)**
hardwood panel or plastic laminate



Note: dimensions are nominal before trimming.

Adhesive Type 1, Waterproof
 UF free

20-minutes Fire Rating
 Option available

Warranty: 1 year

Eligible credits

To obtain credits, specify "PUSM Eco Series"

LEED Canada - NC 2009

M.R.				Q.E.I				I.D.	P.R.	
3	4	5	7	5.1	5.2	3.2 op2	4.1	4.4	1.mo1	2
✓	✓	✓	✓			✓	✓	✓	✓	✓

LEED Canada - C1 (v1.0)

M.R.							Q.E.I			I.D.	
3.1	3.2	4.1	4.2	5.1	5.2	7	3.2 opB	4.1	4.4	1.1	1.2
✓	✓	✓	✓	✓	✓	✓	✓	✓	✓	✓	✓