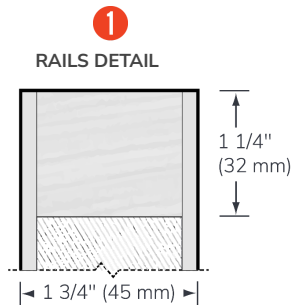
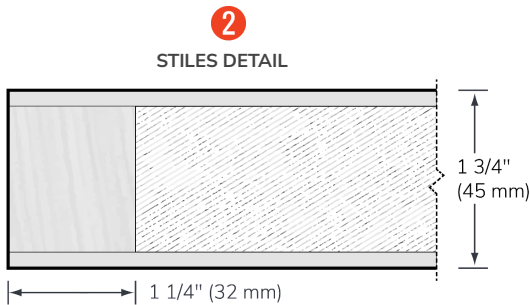
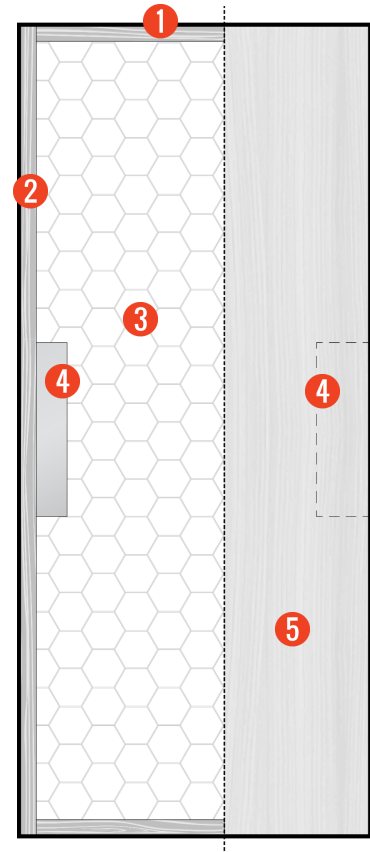


Door Width size: **Maximum 60"**
 Door Length size: **Maximum 120" not rated**

- 1 Top and bottom rails: 1 1/4" (32 mm)**
clear finger jointed, low density wood
- 2 Stiles: 1 1/4" (32 mm)**
clear finger jointed, low density wood
- 3 Recycled honeycomb core**
- 4 Lock Blocks on both sides**
3 1/2" X 18" (89 mm X 457 mm)
- 5 Wood Veneer (many choices, 2 ply)**
hardwood panel or plastic laminate



Note: dimensions are nominal before trimming.

Adhesive Type 1, Waterproof
 UF free

Fire Rating option
 Not available

Warranty: 1 year

Eligible credits

To obtain credits, specify "PUSM Eco Series"

LEED Canada

M.R.						Q.E.I
4.1	4.2	5.1	5.2	6	7	4.4
		✓	✓		✓	