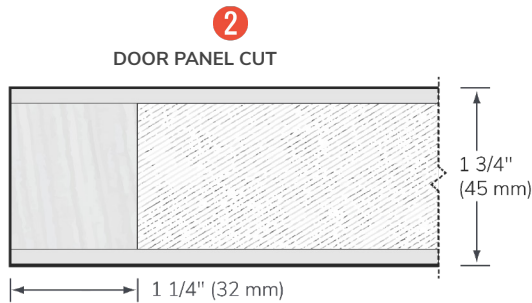
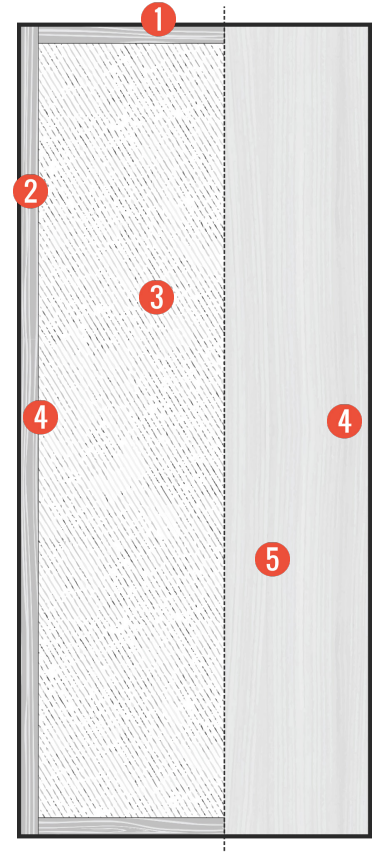


Door Width: Up to 60"
Door Height: Maximum 120" non-rated

- 1 Stile: 1 1/4" (32 mm)** Clear finger-jointed pine or equivalent
- 2 Rail: 1 1/4" (32 mm)** Clear finger-jointed pine or equivalent
- 3 Solid particleboard core**
Density: 28 lbs/ft³ (449 kg/m³)
- 4 Integrated Reinforcement**
- 5 Choice of finish**
solid or wood veneer panels (see product sheet)



Please note: All measurements are unfinished.

Type 1 water-resistant adhesive
Formaldehyde-free

20-minute fire resistance
(optional)

Lifetime warranty

Compliant with industry standards

- ANSI/WDMA 1.S.1A
- ANSI A208-1
- ASTM-D1037
- ASTM-D198-98
- AWS
- INTERTEK

SAINT-MICHEL DOORS

8208 Albert-Louis-Van Houtte Avenue, Montreal, Quebec H1Z 4J8

(514) 725-3544

portes-st-michel.com