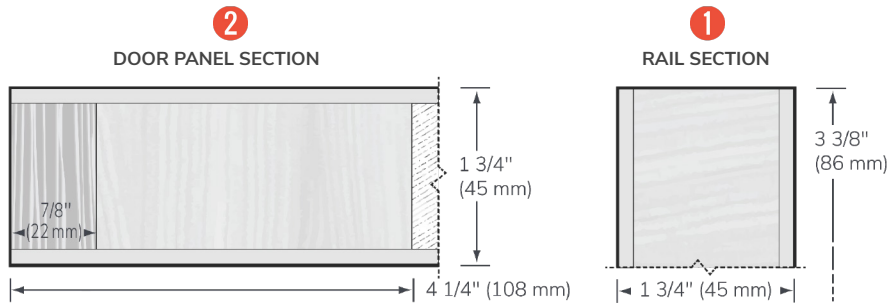
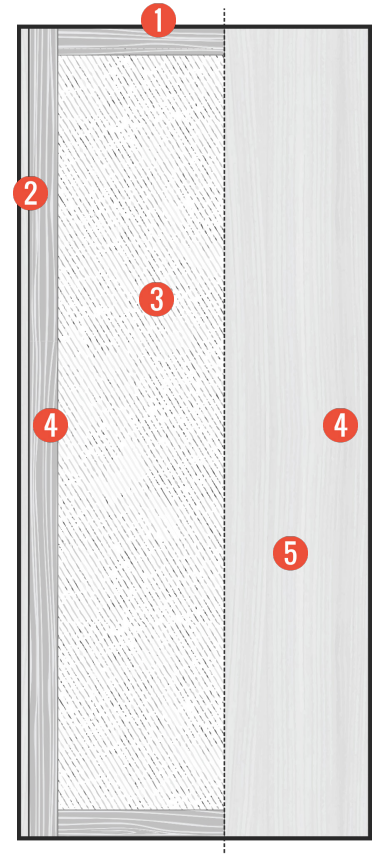


Door Width: Up to 60"
Door Height: Up to 120", non-rated

- 1 3 3/8" (86 mm) Rail LSL type**
- 2 4 1/4" (108 mm) Stile LSL type with 7/8" (22 mm) hardwood face accent**
- 3 Solid particleboard core**
Density: 28 lb/ft³ (449 kg/m³)
- 4 Integrated reinforcement**
- 5 Customizable Face**
Solid panels or wood veneer (see product sheet)



Please note all dimensions are nominal.

Type 1 waterproof adhesive

Formaldehyde-free

20-minute fire resistance

(optional)

Lifetime warranty

Meets industry standards

- ANSI/WDMA 1.S.1A
- ANSI A208-1
- ASTM-D1037
- ASTM-D198-98
- AWS
- INTERTEK

SAINT-MICHEL DOORS

8208 Albert-Louis-Van Houtte Ave, Montreal, QC H1Z 4J8

(514) 725-3544

portes-st-michel.com