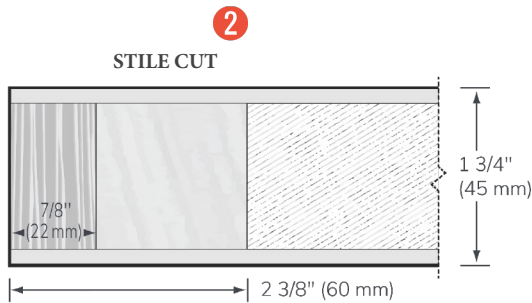
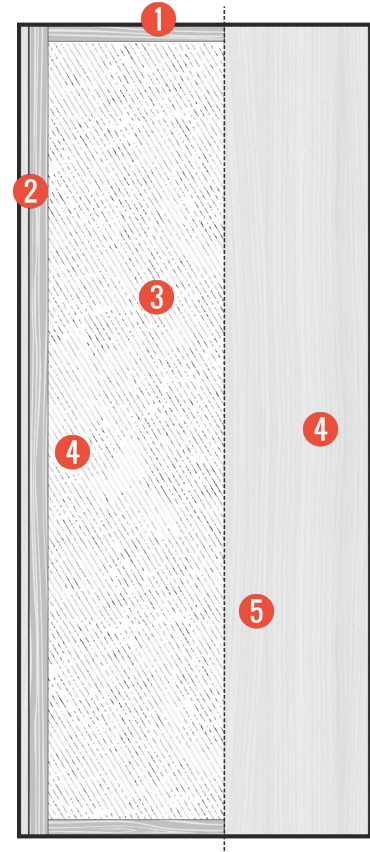


Door Width: Maximum 60"
Door Height: Maximum 120" non-rated

- 1 Stile: 1 1/4" (32 mm)** Clear finger-jointed pine or equivalent
- 2 Rail: 2 3/8" (60 mm)** LSL core including 7/8" (22 mm) of matching hardwood veneer
- 3 Solid particleboard core**
Density: 28 lbs/ft³ (449 kg/m³)
- 4 Integrated reinforcement**
- 5 Face of your choice**
Rigid panels or wood veneer (see product sheet)



Please note: All dimensions are raw measurements.

Type 1 adhesive, waterproofNo added urea formaldehyde

20-minute fire resistance
(optional)

Lifetime warranty

Meets industry standards

- ANSI/WDMA 1.S.1A
- ANSI A208-1
- ASTM-D1037
- ASTM-D198-98
- AWS
- INTERTEK

SAINT-MICHEL DOORS

8208 Avenue Albert-Louis-Van Houtte, Montreal, Quebec H1Z 4J8

(514) 725-3544

portes-st-michel.com